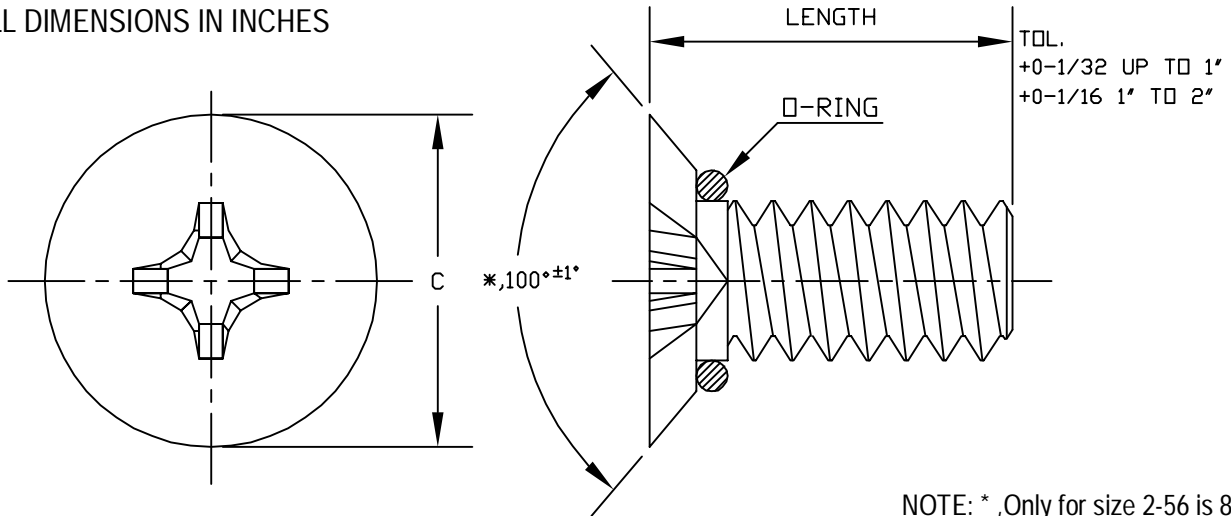
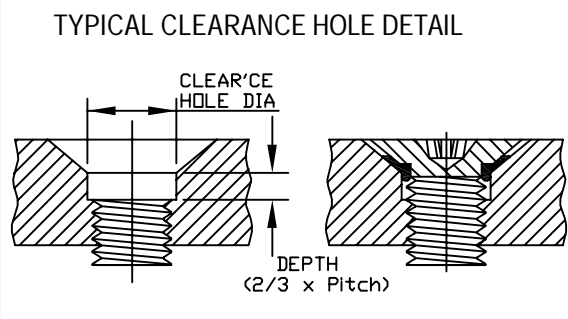


ALL DIMENSIONS IN INCHES



| THREAD SIZE | C max | Head driver size | RECOM. CLEAR. HOLE | | LENGTH |
|---------------|--------|------------------|--------------------|--------|----------------------|
| | | | MIN. | MAX. | |
| * 2-56 UNC-2A | 0.172" | #1 | 0.091" | 0.095" | 1/4" TO 1" Incl. |
| 4-40 UNC-2A | 0.225" | #1 | 0.125" | 0.129" | 1/4" TO 1" Incl. |
| 6-32 UNC-2A | 0.279" | #1 | 0.147" | 0.152" | 1/4" TO 1" Incl. |
| 8-32 UNC-2A | 0.332" | #2 | 0.173" | 0.179" | 1/4" TO 1" Incl. |
| 10-24 UNC-2A | 0.385" | #2 | 0.199" | 0.204" | 5/16" TO 1" Incl. |
| 10-32 UNF-2A | 0.385" | #2 | 0.199" | 0.204" | 5/16" TO 1" Incl. |
| 1/4-20 UNC-2A | 0.507" | #3 | 0.265" | 0.269" | 3/8" TO 1 1/4" Incl. |



STANDARD SPECIFICATIONS & COMMON OPTIONS (HOW TO ORDER)

STD. SCREW MATERIAL: TYPE 18/8 STAINLESS STEEL PER DFARS (OTHER MATERIALS AVAILABLE)
 STD. SCREW FINISH: NATURAL (PASSIVATED PER MIL-STD-171 UNLESS OTHERWISE SPECIFIED)
 STD. O-RING MATERIAL: SILICONE RUBBER (SEE TABLE FOR O-RING OPTIONS)

| SAMPLE CATALOG NO. | | SFR4-40X1/4-2701-BLKOX | AVAILABLE O-RING MATERIALS | | | COMMON OPTIONS | |
|--------------------|--------|------------------------------|----------------------------|---------------------------|------------------------------------|----------------|---------------------------------------|
| SCREW TYPE | SFR | FLAT HEAD WITH C'SUNK RECESS | Compound Suffix | Material | Service Temp. | SUFFIX | DESCRIPTION |
| THREAD | 4-40 | ENTER BASIC THREAD SIZE | -2701 | Silicone Rubber | -150°F to 500°F -101°C to 260°C | -BLKOX | BLACK OXIDE PER MIL-C-13924A, CLASS 2 |
| | X | | -2615 | Fluoro-Silicone Rubber | -78°F to 450°F -61°C to 232°C | -NY | LOCKING NYLON PELLET |
| LENGTH | 1/4 | ENTER LENGTH | -5701 | Viton® A | -20°F to 400°F -29°C to 204°C | -LY | LOCKING NYLON STRIP |
| O-RING SUFFIX | -2701 | ENTER FROM TABLE | -4601 | Buna N (NBR) | -65°F to 250°F -54°C to 121°C | -TP | LOCKING NYLON STD. PATCH |
| OPTIONS | -BLKOX | ENTER FROM TABLE | -3701 | Neoprene (EPR) | -65°F to 300°F -54°C to 149°C | -HTP | HIGH TEMP. LOCKING NYLON PATCH |
| | | | -7601 | Ethylene Propylene (EPDM) | -65°F to 300°F -54°C to 149°C | | |

| | | | |
|---|--|-----------|-------------------------|
| M | CHANGED HEAD DRIVER SIZE OF 6-32 from #2 to #1 | S. GOK | 01.27.10 |
| L | ADDED "PER DFARS" FOR THE SCREW MATERIAL | S. GOK | 07.02.09 |
| K | NEW DRAWING FORMAT | S. GOK | 01.21.09 |
| J | CAD COMPUTER GENERATED | | 12.23.02 |
| REV. | DESCRIPTION | DATE | |
| MAXIMUM AND MINIMUM MEASUREMENTS ARE STATED DIRECTLY ON EACH DIMENSION. | TITLE: SEELSKREW®, FLATHEAD C'SUNK, RECESSED | ENG. M.M. | 10.24.58 |
| | | DWN. J.P. | 10.24.58 |
| MAT'L: AS NOTED | APM-HEXSEAL CORPORATION | CHKD. | |
| FINISH: AS NOTED | | SCALE | DWG. NO. SFR-0000-00-00 |

THIS DRAWING COVERS PROPRIETARY ITEM AND IS THE PROPERTY OF THE APM-HEXSEAL CORPORATION.
 THIS DRAWING IS NOT TO BE COPIED OR USED WITHOUT THE WRITTEN APPROVAL OF AN OFFICER OF THE APM-HEXSEAL CORPORATION.